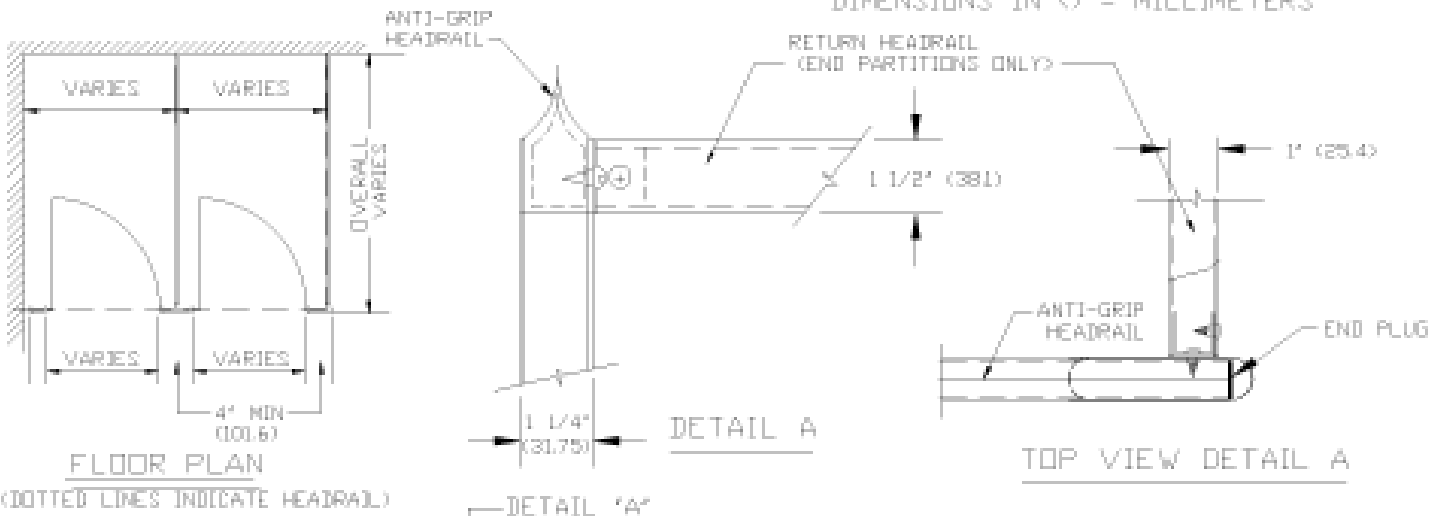
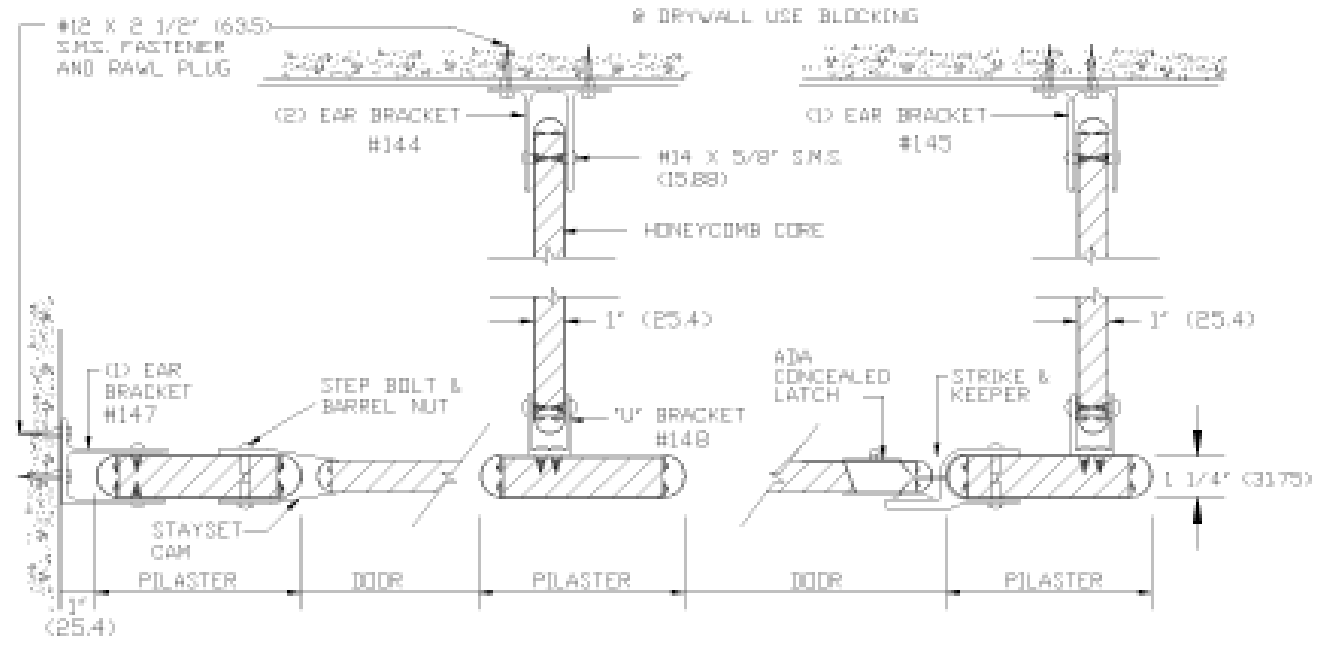
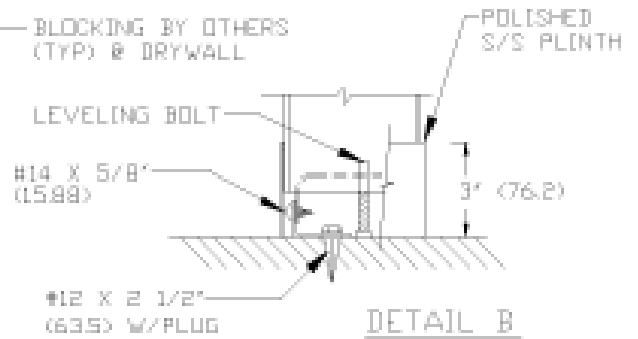
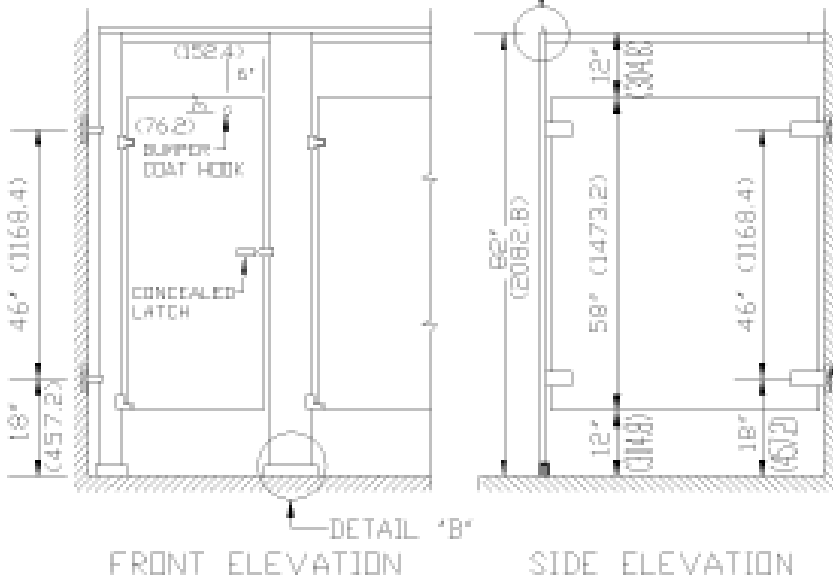


DIMENSIONS IN () = MILLIMETERS



NOTE:

THIS DRAWING IS A STANDARD DETAIL INTENDED TO SHOW GENERAL CONSTRUCTION AND SPECIFICATION INFORMATION. SEE SHOP DRAWINGS FOR ACTUAL JOB LAYOUT AND SPECIFIC JOB CONDITIONS WHICH SUPERCEDE ANY CONFLICTING INFORMATION ON THIS DETAIL SHEET.



METPAR CORP

95 State Street, Westbury, NY 11590
Tel: 516-333-2600 Fax: 516-333-2618

POWDER SHIELD
STANDARD DETAIL FP500
THE CORINTHIAN

FP500BE.DWG

5/00