



**JL INDUSTRIES**  
INCORPORATED

**AMBASSADOR - STEEL** **DETAIL AND SUBMITTAL SHEET**

MODEL NUMBER: \_\_\_\_\_ QUANTITY: \_\_\_\_\_

DISTRIBUTOR: \_\_\_\_\_

PROJECT: \_\_\_\_\_

ARCHITECT: \_\_\_\_\_

CONTRACTOR: \_\_\_\_\_

APPROVED BY: \_\_\_\_\_ DATE: \_\_\_\_\_

**STEP 1 SELECT MODEL NUMBER AND QUANTITY** (refer to chart on back for model number)

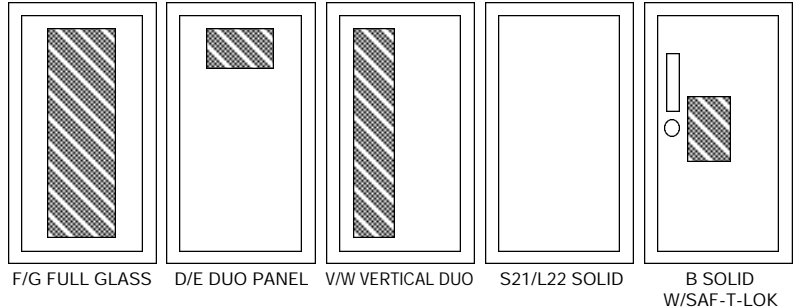
A. Determine Trim Style according to wall depth.

B. Determine Tub I.D. according to size most suited for extinguisher and wall opening.

NOTE: If wall is fire rated, ask for separate Fire-FX™ recessed or semi-recessed cabinet detail and submittal sheet.

**STEP 2 SELECT DOOR STYLE** (✓ check one box below)

- F FULL GLASS W/PULL HANDLE
- G FULL GLASS W/SAF-T-LOK
- D DUO PANEL W/PULL HANDLE
- E DUO PANEL W/SAF-T-LOK
- V VERTICAL DUO W/PULL HANDLE
- W VERTICAL DUO W/SAF-T-LOK
- S21 SOLID W/PULL HANDLE
- L22 SOLID W/LOCK
- B SOLID W/SAF-T-LOK



**STEP 3 SELECT DOOR GLAZING** (✓ check one box below)

- |  |  |
|--|--|
| <input type="checkbox"/> 10 DS (DOUBLE STRENGTH) GLASS | <input type="checkbox"/> 16 GRAY GLASS                 |
| <input type="checkbox"/> 11 PLATE GLASS                | <input type="checkbox"/> 17 CLEAR TEMPERED GLASS       |
| <input type="checkbox"/> 12 1/4" CLEAR ACRYLIC         | <input type="checkbox"/> 18 CLEAR SAFETY GLASS         |
| <input type="checkbox"/> 13 CLEAR WIRE GLASS           | <input type="checkbox"/> 20 SS (SINGLE STRENGTH) GLASS |
| <input type="checkbox"/> 15 BRONZE GLASS               | <input type="checkbox"/> 30 .060" CLEAR ACRYLIC        |

**STEP 4 SELECT OPTIONS** (if applicable ✓ check any box below)

- |  |  |  |
|--|--|--|
| <input type="checkbox"/> COLOR EPOXY TUB - RED         | <input type="checkbox"/> FE LETTERS - BLK VERTICAL     | <input type="checkbox"/> DECALS - BLK VERTICAL     |
| <input type="checkbox"/> COLOR EPOXY TUB - BLK         | <input type="checkbox"/> FE LETTERS - RED VERTICAL     | <input type="checkbox"/> DECALS - RED VERTICAL     |
| <input type="checkbox"/> COLOR EPOXY DOOR & TRIM - RED | <input type="checkbox"/> FE LETTERS - WHITE VERTICAL   | <input type="checkbox"/> DECALS - WHITE VERTICAL   |
| <input type="checkbox"/> COLOR EPOXY DOOR & TRIM - BLK | <input type="checkbox"/> FE LETTERS - BLK HORIZONTAL   | <input type="checkbox"/> DECALS - BLK HORIZONTAL   |
| <input type="checkbox"/> CUSTOM COLOR - ADVISE         | <input type="checkbox"/> FE LETTERS - RED HORIZONTAL   | <input type="checkbox"/> DECALS - RED HORIZONTAL   |
| <input type="checkbox"/> FUTURA "FIRE" HANDLE          | <input type="checkbox"/> FE LETTERS - WHITE HORIZONTAL | <input type="checkbox"/> DECALS - WHITE HORIZONTAL |
| <input type="checkbox"/> FLUSH PULL HANDLE             | <input type="checkbox"/> COMMANDER ALARM               | <input type="checkbox"/> BRIGADIER ALARM           |

**JL INDUSTRIES FAX: 952-835-2218** – 4450 W. 78th St. Circle, Bloomington, MN 55435 PHONE: 952-835-6850  
**JL WEST COAST FAX: 323-726-9068** – 6285 Randolph Street, Commerce, CA 90040 PHONE: 323-726-9070  
**JL SOUTH EAST FAX: 239-693-7501** – 5758 Corporation Circle, FT. Myers, FL 33905 PHONE: 239-693-7500

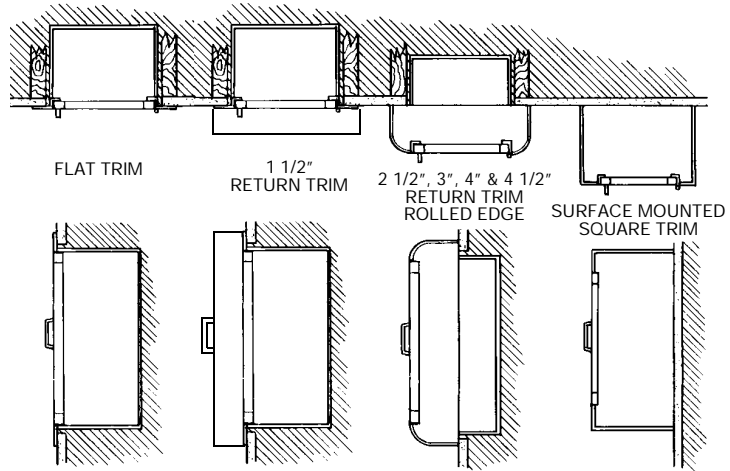
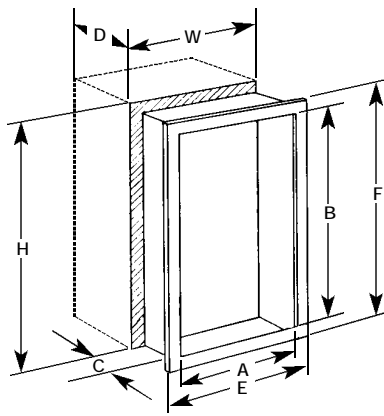
Visit our website for additional specification information.

[www.jlindustries.com](http://www.jlindustries.com)

### CABINET SPECIFICATIONS

- Trim, tub and door material - steel with electrostatic white epoxy primer finish
- 1 3/4" wide face trim on frame and door
- Door formed with 5/8" nominal thickness
- Standard door hardware - continuous hinge, zinc plated pull handle/roller catch
- SAF-T-LOK doors - cylinder lock with flexible cam

EXPLODED TOP AND SIDE VIEWS  
REFER TO DIMENSIONS TABLE BELOW



DIMENSIONS IN INCHES

MODEL #	TRIM STYLE	TUB I.D.			FRAME O.D.		WALL OPENING NON-RATED			ACCOMMODATES THESE J.L. EXTINGUISHERS
		A	B	C	E	F	W	H	D	
___1815*	FLAT TRIM	10 1/2"	24"	5 1/2"	13 7/8"	27 3/8"	11 1/2"	25"	5 1/2"	Cosmic 2 1/2E, 5E, 5X Galaxy 2 1/2, 5, 5 1/2 Mercury 2 1/2, 5
___1816*	1 1/2"	10 1/2"	24"	5 1/2"	13 7/8"	27 3/8"	11 1/2"	25"	4"	
___1817*	3"	10 1/2"	24"	5 1/2"	13 7/8"	27 3/8"	11 1/2"	25"	2 5/8"	
___1812*	4"	10 1/2"	24"	5 1/2"	13 7/8"	27 3/8"	11 1/2"	25"	1 5/8"	
___1818	4 1/2"	10 1/2"	24"	5 1/2"	13 7/8"	27 3/8"	11 1/2"	25"	1 1/8"	
___1014*	TRIMLESS	10 1/2"	24"	6"	10 3/4"	24 1/4"	11"	24 1/2"	6 1/4"	Cosmic 2 1/2E, 5E, 5X, 6E, 10E Galaxy 2 1/2, 5, 5 1/2, 6, 10 Sentinel 5 Mercury 2 1/2, 5
___1015*	FLAT TRIM	10 1/2"	24"	6"	13 7/8"	27 3/8"	11 1/2"	25"	6"	
___1016*	1 1/2"	10 1/2"	24"	6"	13 7/8"	27 3/8"	11 1/2"	25"	4 1/2"	
___1017*	3"	10 1/2"	24"	6"	13 7/8"	27 3/8"	11 1/2"	25"	3 1/8"	
___1012*	4"	10 1/2"	24"	6"	13 7/8"	27 3/8"	11 1/2"	25"	2 1/8"	
___1018	4 1/2"	10 1/2"	24"	6"	13 7/8"	27 3/8"	11 1/2"	25"	1 5/8"	
___1013	SURF. MTD.	13 11/16"	27 3/16"	6 5/8"	13 7/8"	27 3/8"	-	-	-	
___2014*	TRIMLESS	12"	27"	7 3/4"	12 1/4"	27 1/4"	12 1/2"	27 1/2"	7 7/8"	Any Cosmic, Any Galaxy Grenadier P, Sentinel 5, 10 Mercury 2 1/2, 5 Saturn 15, 25
___2015*	FLAT TRIM	12"	27"	7 3/4"	15 3/8"	30 3/8"	13"	28"	7 7/8"	
___2016*	1 1/4"	12"	27"	7 3/4"	15 3/8"	30 3/8"	13"	28"	6 3/4"	
___2017*	2 1/2"	12"	27"	7 3/4"	15 3/8"	30 3/8"	13"	28"	5 1/2"	
___2012*	4"	12"	27"	7 3/4"	15 3/8"	30 3/8"	13"	28"	4"	
___2018	4 1/2"	12"	27"	7 3/4"	15 3/8"	30 3/8"	13"	28"	3 1/2"	
___2013	SURF. MTD.	15 3/16"	30 3/16"	8 1/4"	15 3/8"	30 3/8"	-	-	-	
___3015*	FLAT TRIM	16"	32"	7 3/4"	19 3/8"	35 3/8"	17"	33"	7 7/8"	Any Cosmic, Any Galaxy Grenadier P, Sentinel 5,10,15 Mercury 2 1/2, 5 Saturn 15, 25
___3016*	1 1/4"	16"	32"	7 3/4"	19 3/8"	35 3/8"	17"	33"	6 3/4"	
___3017*	2 1/2"	16"	32"	7 3/4"	19 3/8"	35 3/8"	17"	33"	5 1/2"	
___3012*	4"	16"	32"	7 3/4"	19 3/8"	35 3/8"	17"	33"	4"	
___3018	4 1/2"	16"	32"	7 3/4"	19 3/8"	35 3/8"	17"	33"	3 1/2"	
___3013	SURF. MTD.	19 3/16"	35 3/16"	8 1/4"	19 3/8"	35 3/8"	-	-	-	
___4015*	FLAT TRIM	20"	27"	7 3/4"	23 3/8"	30 3/8"	21"	28"	7 7/8"	Two each of: Any Cosmic Any Galaxy Grenadier P, Sentinel 5, 10 Mercury 2 1/2, 5 Saturn 15, 25
___4016*	1 1/4"	20"	27"	7 3/4"	23 3/8"	30 3/8"	21"	28"	6 3/4"	
___4017*	2 1/2"	20"	27"	7 3/4"	23 3/8"	30 3/8"	21"	28"	5 1/2"	
___4012*	4"	20"	27"	7 3/4"	23 3/8"	30 3/8"	21"	28"	4"	
___4018	4 1/2"	20"	27"	7 3/4"	23 3/8"	30 3/8"	21"	28"	3 1/2"	
___4013	SURF. MTD.	23 3/16"	30 3/16"	8 1/4"	23 3/8"	30 3/8"	-	-	-	

\*MEETS A.D.A. PROJECTION CRITERIA

Look to JL Industries for Additional Products Including: • Access Panels • Roof Hatches • Floor Doors • Floor Mats and Gratings • Security Products • Life Safety - Automated External Defibrillators, Emergency Oxygen and Cabinets