



AMERICAN SPECIALTIES, INC.

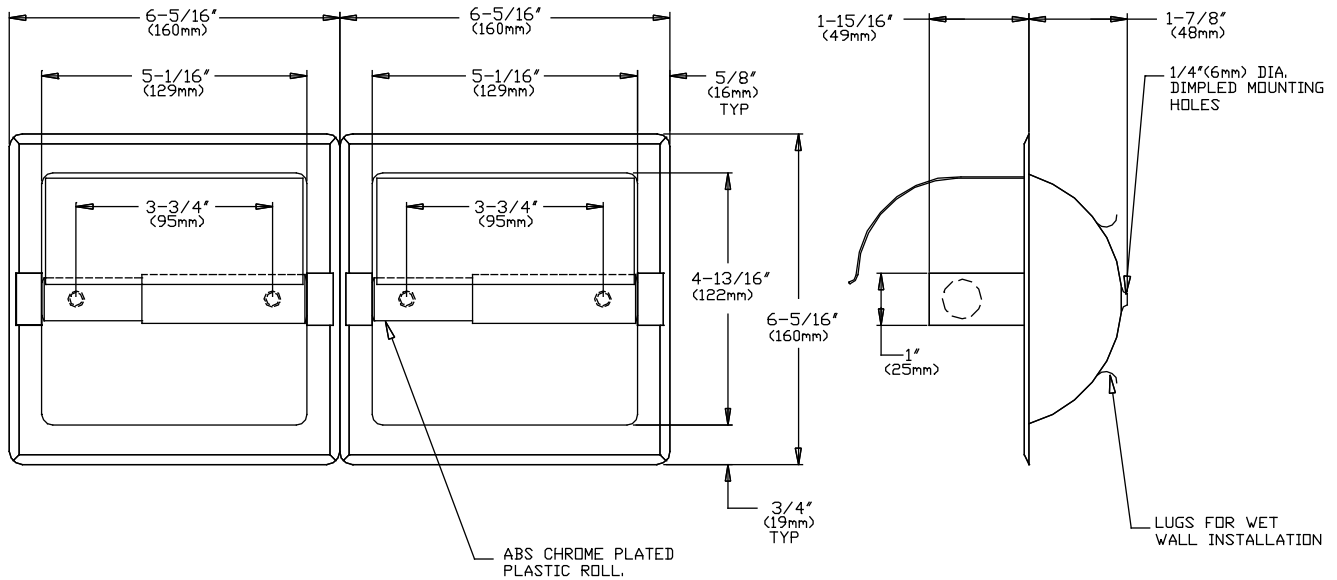
441 Saw Mill River Road, Yonkers, NY 10701 (914) 476-9000

MODEL No: 74022-H

ISSUED: 1-87

REVISED: 4-99

RECESSED DUAL ROLL TOILET PAPER HOLDER WITH HOOD



SPECIFICATION

Recessed Dual Roll Toilet Paper Holder with Hood shall hold and dispense two (2) rolls of standard core roll toilet paper, up to 6" (152mm) in diameter. Unit shall be fabricated of 18-8 stainless steel, type 304. Hood shall be attached to top of unit with a full length brass pivot rod. Rollers shall be fabricated of chrome plated, high impact resistant ABS plastic. All exposed surfaces shall have (bright or satin) finish. Mounting style shall be dry wall or wet wall as chosen by option and indicated by code suffix.

Recessed Dual Roll Toilet Paper Holder with Hood shall be Model N^o (74022-HBD or 74022-HBW or 74022-HSD or 74022-HSW) of American Specialties, Inc., 441 Saw Mill River Road, Yonkers, New York 10701- 4913

INSTALLATION

Unit is mounted in wall recess using N^o10 self tapping screws (supplied). For compliance with ADA Accessibility Guidelines, unit should be installed with centerline of rollers 19" (483mm) min. AFF to 44" (1118mm) max. AFF and forward edge of roll no further than 36" (914mm) from back wall behind commode. If option -D mounting is chosen then specify dry wall clamp model N^o39 separately.

Rough Wall Opening (RWO) required is..... 11-3/4"W x 5-1/2" x 2" (298mm x 140mm 51mm)

OPERATION

Spindle revolves freely. Toilet paper delivery is controlled by friction of hood on roll. Spring loaded spindle holds roll until core is removed.

OPTIONS AVAILABLE

Optional finish and mounting style must be specified as either B = bright or S = satin and W = wet or D = dry wall. Specify finish and mounting by adding code suffixes to model number (i.e. 74022-HBD or 74022-HBW or 74022-HSD or 74022-HSW).

PLEASE INDICATE BY CHECKING BOXES APPLICABLE IN EACH COLUMN

Option -S = Satin finish	Option -W = Wet Wall installation
Option -B = Bright polished finish	Option -D = Dry Wall installation

Accessory Specialties

AMERICAN DISPENSER

Desert Ray Products

WATROUS INC.