



AMERICAN SPECIALTIES, INC.

441 Saw Mill River Road, Yonkers, NY 10701 (914) 476-9000

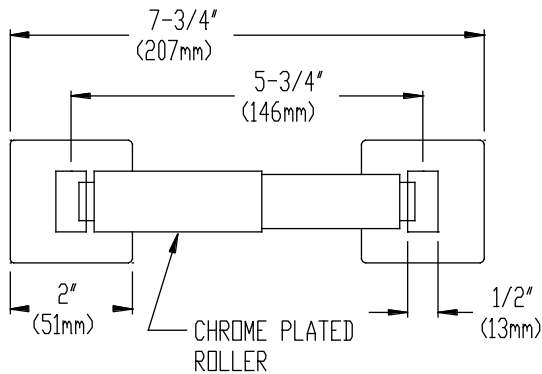
MODEL No: 7305

ISSUED: 1-87

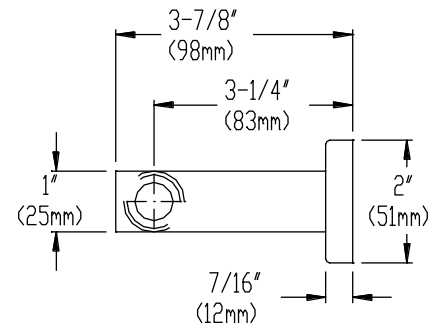
REVISED: 3-99

SURFACE MOUNTED TOILET PAPER HOLDER

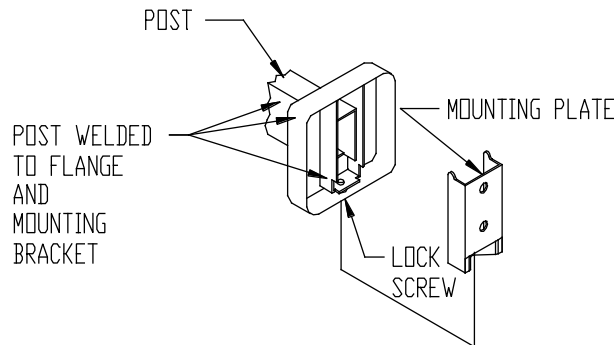
- Specify Model Required Model 7305-B Bright Polished Stainless Steel
 Model 7305-S Satin Finished Stainless Steel.



FRONT VIEW



SIDE VIEW



CONCEALED MOUNTING DETAIL

SPECIFICATION

Surface Mounted Toilet Paper Holder shall hold and dispense one roll of standard core roll tissue up to 5-1/2" (140mm) in diameter. Unit shall be fabricated of 18-8 stainless steel, type 304. Mounting plates shall be included. Posts shall be fabricated of 1/2" x 1" (13mm x 25mm) rectangular tubing. Roller shall be chrome-plated high-impact resistant ABS plastic. All exposed surfaces shall be (satin or bright) finish.

Toilet Paper Holder shall be Model №(7305-B or 7305-S) of American Specialties, Inc., 441 Saw Mill River Road, Yonkers, New York 10701-4913

INSTALLATION

Attach mounting plates to wall using №10 self-tapping screws supplied. Attach each flange and post assembly to its mounting plate with set screw supplied. For compliance with ADA Accessibility Guidelines, install unit with centerline of roller at 19" (483mm) minimum to 44" (1118mm) maximum above finished floor (AFF), and forward edge of roll no farther than 36" (914mm) from wall behind water closet fixture.

OPERATION

Spring loaded spindle revolves freely and holds roll until core is removed.

Accessory Specialties

AMERICAN DISPENSER

Desert Ray Products

WATROUS INC.