



AMERICAN SPECIALTIES, INC.

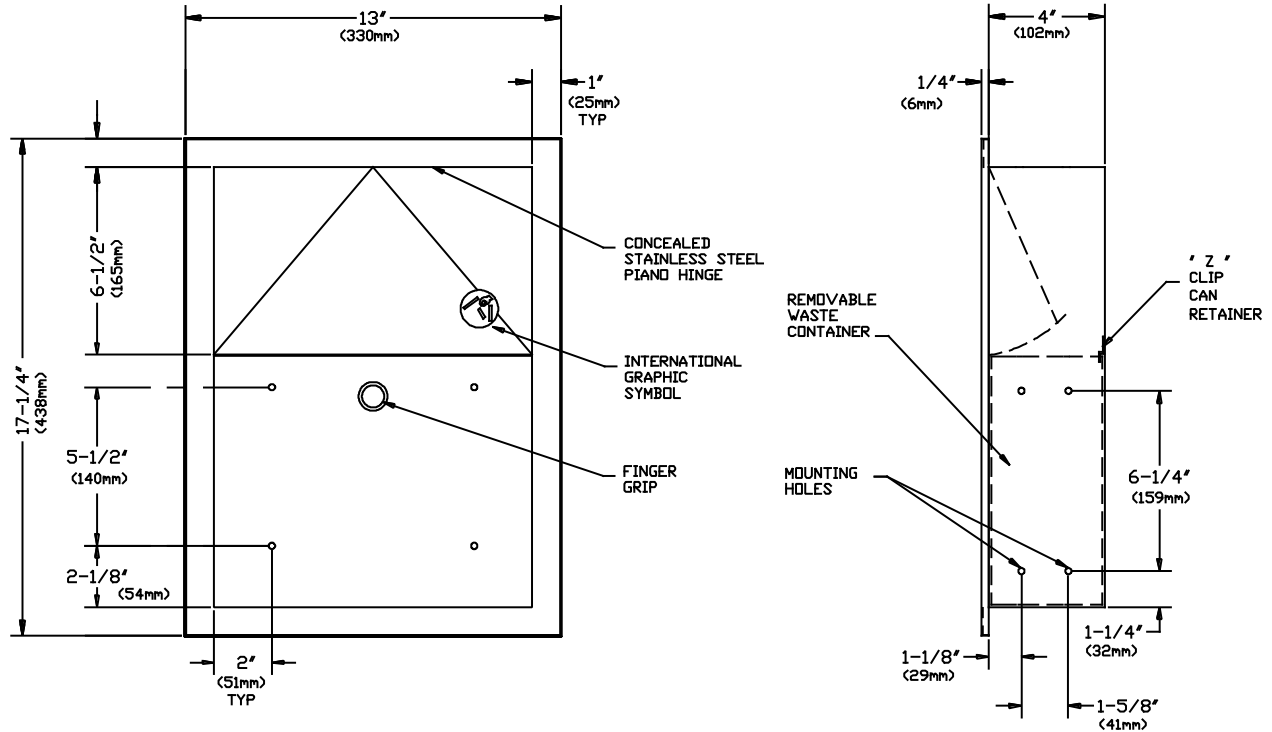
441 Saw Mill River Road, Yonkers, NY 10701 (914) 476-9000

MODEL No: 0473

ISSUED: 1-87

REVISED: 7-99

RECESSED SANITARY NAPKIN DISPOSAL



SPECIFICATION

Recessed Sanitary Napkin Disposal shall have a waste capacity of 1.5 gal (5.7 liters) and shall have doors and cabinet fabricated of alloy 18-8 stainless steel, type 304, N^o22 gauge. Structural assembly of body and door components shall be of welded construction. Upper door shall be hung on cabinet with a stainless steel spring hinge and have the international waste symbol on face. All exposed surfaces shall have a N^o 4 satin finish and be protected during shipment with a PVC film that shall be easily removable after installation. Face trim shall be of one piece construction 1" (25.4mm) wide with no welded miters and shall have square 1/4" (6.35mm) returns.

Recessed Sanitary Napkin Disposal shall be Model N^o 0473 as fabricated by American Specialties, Inc., 441 Saw Mill River Road, Yonkers, New York 10701-4913

INSTALLATION

Unit is mounted in wall recess using N^o 10 self tapping screws (supplied) through concealed mounting holes provided. For compliance with ADA Accessibility Guidelines, unit should be installed so that center of waste door slot is 54" (1372mm) maximum above finished floor (AFF) if clear floor side reach access is provided or 48" (1219mm) max. AFF if clear floor forward reach access only is provided, or 46" (1168mm) max. AFF if side reach over an obstruction only is provided (ie: vanity).

Rough Wall Opening (RWO) required is.... 11-1/4"W x 5-3/4"H x 4"D (286mm x 400mm x 102mm)

OPERATION

Users push door to deposit waste material. Door is self-closing. Maintenance schedule determines waste removal cycle. Unit is emptied by removing bottom waste container and inverting over collection bag. Waste container is captured by internal angle to prevent inadvertent dumping and safety-edged finger grip provides convenient grip for service.

Accessory Specialties

AMERICAN DISPENSER

Desert Ray Products

WATROUS INC.