



AMERICAN SPECIALTIES, INC.

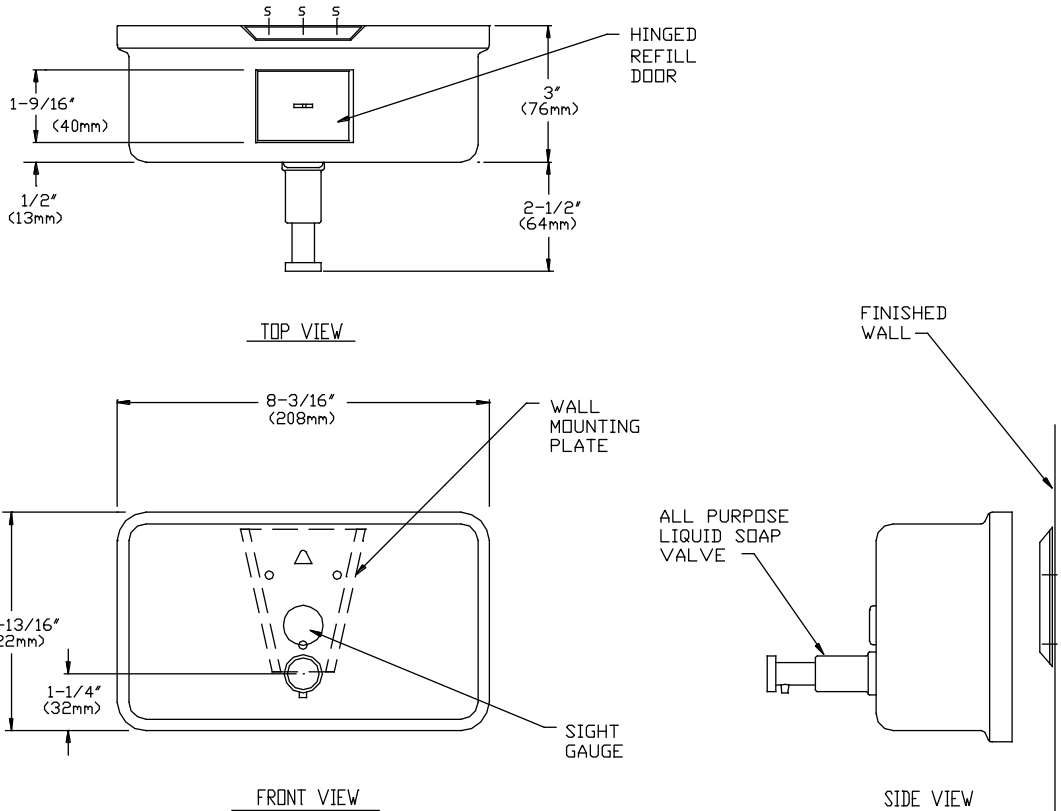
441 Saw Mill River Road, Yonkers, NY 10701 (914) 476-9000

MODEL No: 0342

ISSUED: 1-87

REVISED: 7-99

SURFACE MOUNTED HORIZONTAL STAINLESS STEEL SOAP DISPENSER



SPECIFICATION

Surface Mounted Horizontal Stainless Steel Soap Dispenser shall hold and dispense up to 40 oz (1.18 liter) of liquid soap, lotion or detergent. Dispenser shall be fabricated of alloy 18-8 stainless steel, Type 304, № 20 gauge. All exposed surfaces shall be № 4 satin finish. Valve shall be constructed of chrome-plated brass body with stainless steel and plastic internal parts. Valve operation shall comply with ADA Accessibility Guidelines by requiring no more than 5 lbs_f (22.2 Newtons) pressure to actuate and require no grasping or twisting by operator. A liquid level indicator shall be provided above valve. Unit shall have a hinged stainless steel refill door on top of unit which is opened with special key provided.

Surface Mounted Horizontal Stainless Steel Soap Dispenser shall be Model № 0342 of American Specialties, Inc., 441 Saw Mill River Road, Yonkers, New York 10701-4913

INSTALLATION

Unit is surface mounted to wall or partition by means of a bracket (bracket & hardware provided). Unit is secured to interlocking wedge bracket and locked in place by means of a locking screw installed through hinged refill door. For maximum usability and compliance with ADA Accessibility Guidelines, unit should be installed so that valve is 54" (1372mm) max. above finished floor (AFF) when clear floor side reach access is provided or 48" (1219mm) max. AFF if clear floor forward reach access is provided or 46" (1168mm) max. AFF if side reach over an obstruction only is provided (ie: vanity). Recommended installation for general utility is 42" (1066 mm) AFF or 6" (152mm) minimum above wash basin.

OPERATION

Soap is manually dispensed by depressing push button. Unit is refilled through hinged refill door at top requiring special key (supplied) to open. Soap tank will continue to feed properly until empty. Tank supply is refilled manually on cycle determined by maintenance needs.

Accessory Specialties

AMERICAN DISPENSER

Desert Ray Products

WATROUS INC.