



AMERICAN SPECIALTIES, INC.

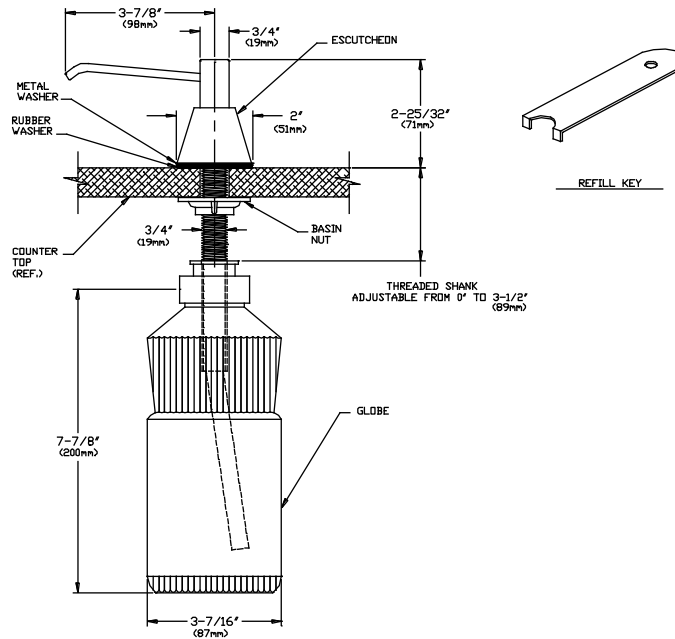
441 Saw Mill River Road, Yonkers, NY 10701 (914) 476-9000

MODEL No: 0332

ISSUED: 1-87

REVISED: 1-99

LAVATORY MOUNTED SOAP DISPENSER



SPECIFICATION

Lavatory Mounted Soap Dispenser shall hold and dispense 34oz. (1 liter) of liquid soap, lotion or detergent. Dispenser stem and 4" spout shall be fabricated of stainless steel with rubber "duck bill" check valves and an O-ring seal. Valve body, internal parts, basin nut, threaded shank and globe adapter shall be fabricated of molded plastic. Spring, escutcheon washer, stem retainer collar and screw shall be fabricated of stainless steel. Escutcheon plate shall be fabricated of chrome plated brass. Soap container shall be fabricated of vandal-resistant polyethylene plastic. Valve and spout shall rotate after unit is installed. Valve operation shall comply with ADA Accessibility Guidelines by requiring no more than 5 lbs. (22.2 Newtons) of pressure to actuate without grasping or twisting by operator.

Lavatory Mounted Soap Dispenser shall be Model N^o0332 of American Specialties, Inc., 441 Saw Mill River Road, Yonkers, New York 10701-4913

INSTALLATION

Unit is typically located adjacent to a flush mounted lavatory, through 7/8" (22mm) dia. cut out (by others) in counter top. An adjustable threaded shank allows for installation in counter tops up to 3-1/2" (89mm) thick.

OPERATION

Soap is manually dispensed by pushing down on the spout stem. Dispenser is refilled by using the special refill key to unlock the escutcheon and remove the valve body with dip tube from the shank to expose reservoir opening. Dispenser is refilled on a cycle determined by maintenance needs.

OPTIONS

Spout option may be combined with globe option. Specify option by adding suffix to Model N^o (e.g. 0332-CD64).

SUFFIX	DESCRIPTION
C	20oz. (592ml) polyethylene globe
D	6" (153mm) long spout
64	1" (25mm) height spacer

Accessory Specialties

AMERICAN DISPENSER

Desert Ray Products

WATROUS INC.