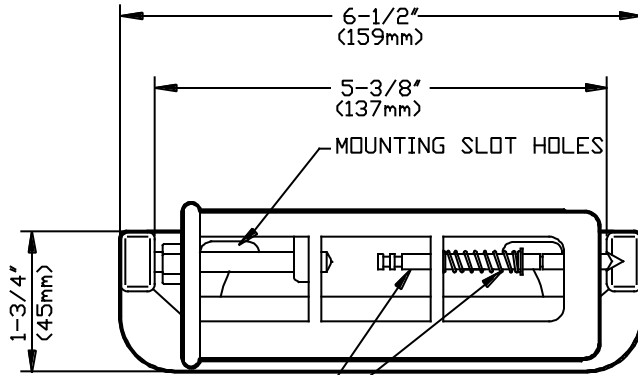




AMERICAN SPECIALTIES, INC.
441 Saw Mill River Road, Yonkers, NY 10701 (914) 476-9000

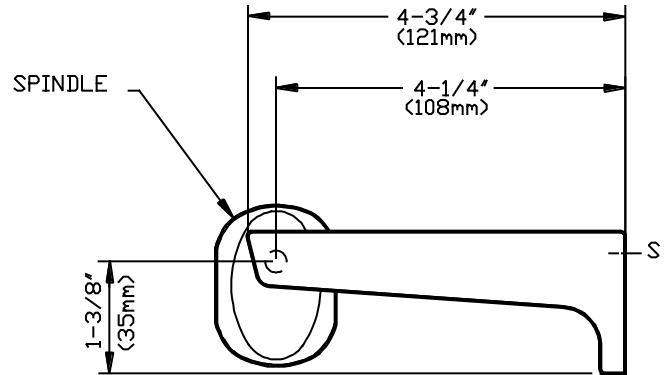
MODEL No:	0263-1
ISSUED:	1-87
REVISED:	9-96

SURFACE MOUNTED SINGLE ROLL TOILET TISSUE HOLDER



RELEASE PIN WITH
SPRING LOCK

ELEVATION



SPINDLE

SIDE VIEW

SPECIFICATION

Surface Mounted Single Roll Toilet Tissue Holder with controlled-delivery spindle shall hold and dispense all standard core roll tissue, up to 6" (152mm) in diameter and be fabricated of die cast aluminum with a satin matte silver-gray finish. The "no waste" rocking action spindle shall be fabricated of impact resistant, ABS thermoplastic and be theft resistant with a concealed release mechanism. Spindle shall rotate 1/2 revolution for each operation and return to its original position. Roll core shall not be removable until tissue is exhausted.

Surface Mounted Single Roll Tissue Holder (controlled delivery) shall be Model N° 0263-1 as fabricated by American Specialties, Inc. 441 Saw Mill River Road Yonkers, New York 10701-4913.

INSTALLATION

Unit is surface mounted on wall or partition using self tapping screws (supplied). For compliance with ADA Accessibility Guidelines, unit should be installed so that tissue roll centerline is between 44" (1118mm) maximum above finished floor (AFF) and 19" (483mm) minimum AFF.

OPERATION

Spindle revolves 1/2 revolution for each operation and then returns to its original position. Roll core prevents access to release pin and cannot be removed from spindle until exhausted. Unit is replenished by releasing a concealed pin which in turn releases a spring lock mechanism on spindle.

OPTION

Model N° 0263-1A identical to 0263-1 except has free-rolling spindle with uncontrolled delivery.

Accessory Specialties

AMERICAN DISPENSER

Desert Ray Products

WATROUS INC.